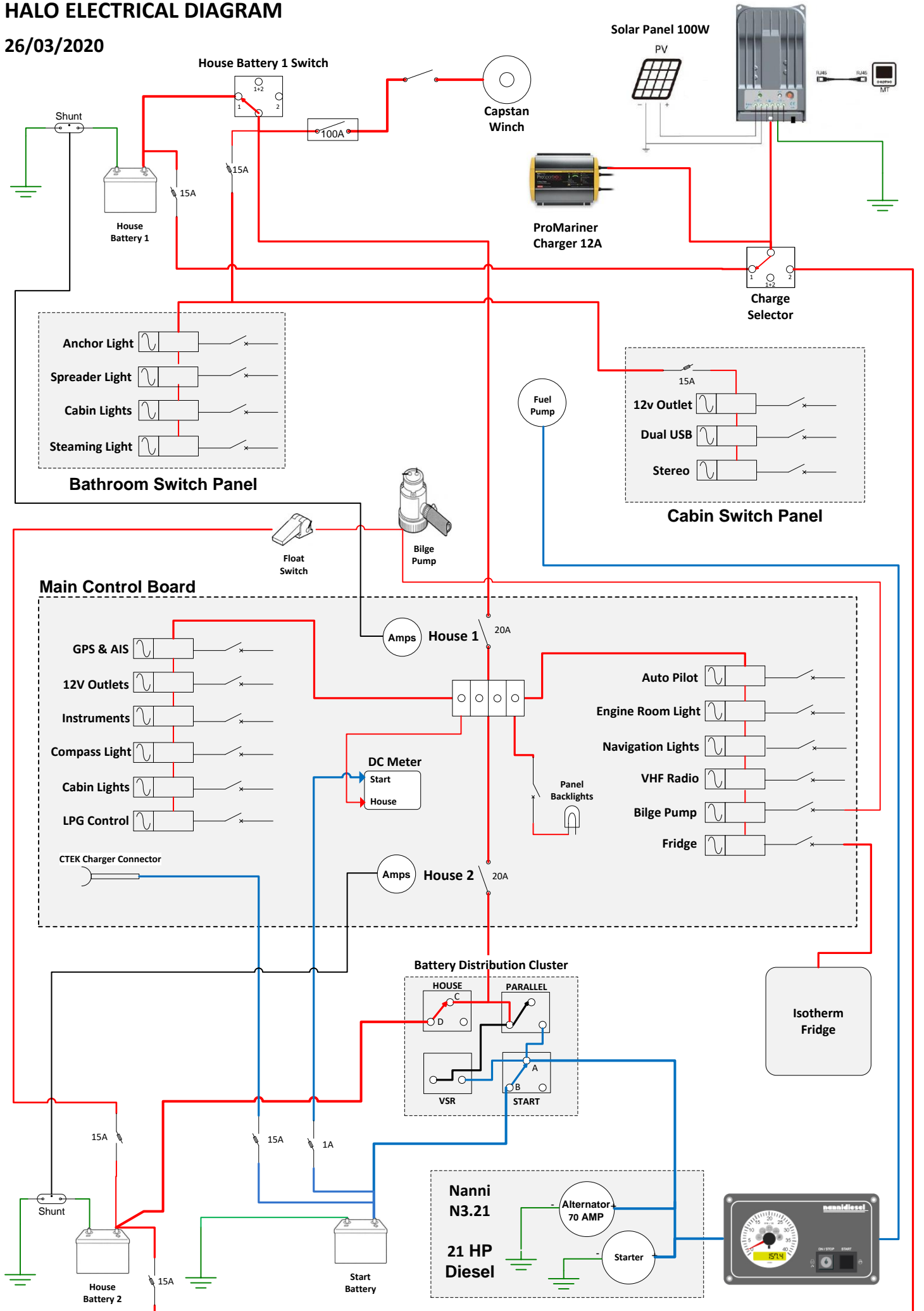


HALO ELECTRICAL DIAGRAM

26/03/2020



-12V busses all return to common earth and engine

Halo Electrical Wiring Diagram -T.vsd